

# 6 AXIS CARTESIAN ROBOT

Model Number : GOTT-6ROBOT-01



## DESCRIPTION

A new series of desktop robots from GOTT features high speed precision motor controlled motion. GOTT-6ROBOT-01 is committed to providing educational robots, light industrial robots and service robots with a cost-effective, easy-to-use, and best-of-breed revolutionary desktop robot arm product and solution through continuous innovation. GOTT-6ROBOT-01 arm covers the areas of STEAM (science, technology, engineering, mathematics), gaining practical and hands-on experience in the fields of mechanics, electronics, control systems and computer science. GOTT™'s Cartesian Robots also provide smooth and continuous motion. This gives the unit great flexibility in its applications.

## FEATURES

- PC Based control
- Support high level programming language
- Capable work as stand-alone or integration with other trainer
- Windows based platform
- High precision
- Rich secondary development interface

## PRODUCT SPECIFICATION

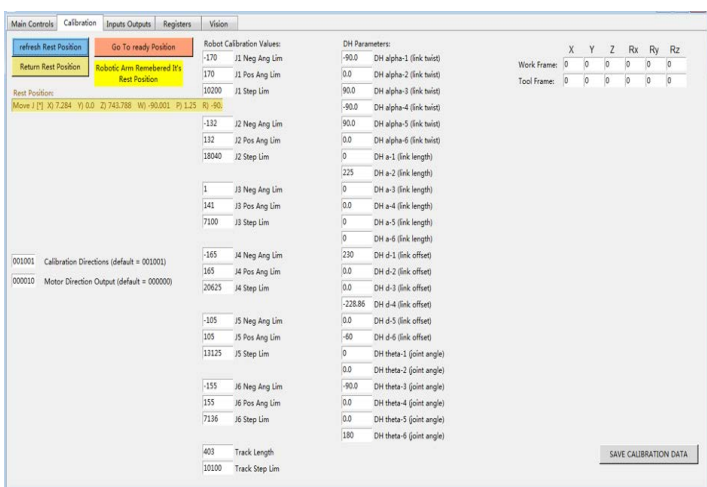
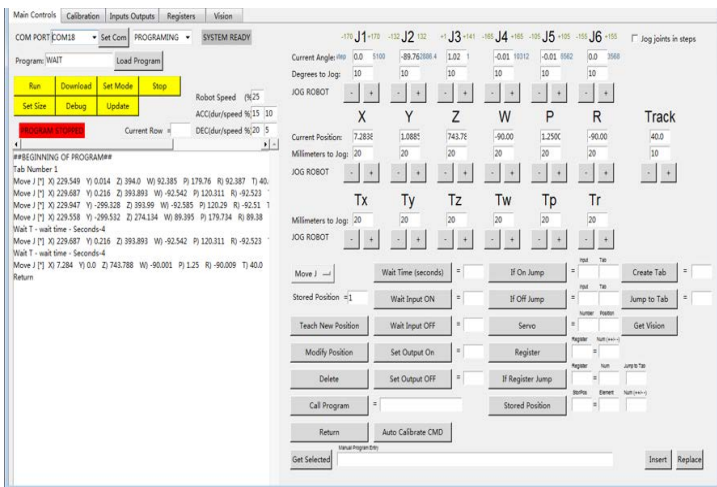
Vertical travel	792.9mm	
Horizontal travel	954.4mm	
Voltage	220V/110V	
Power supply	360W	
The maximum working radius	482.3mm	
Specified load	1KG	
Repeat accuracy	±0.5mm	
Number of axes	6 axis	
Controller	Microcontroller	
Body shell material	Plastic(PLA by 3D Printed)	
Installation method	Desktop	
Speed reducer	Timing belt deceleration	
Motor	Stepper motor	
AXIS	RANGE OF MOTION	MAXIMUM SPEED
1st axis	±180°	200mm/s
2st axis	±120°	200mm/s
3st axis	±130°	200mm/s
4st axis	±180°	200mm/s
5st axis	±165°	200mm/s
6st axis	±180°	200mm/s

# 6 AXIS CARTESIAN ROBOT

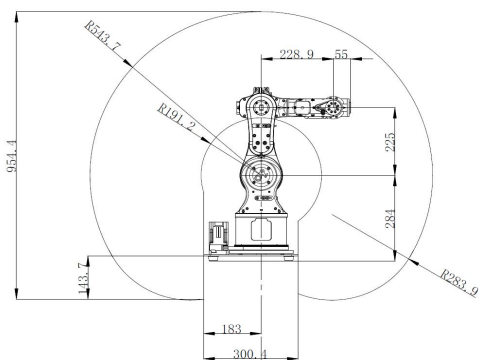
Model Number : GOTT-6ROBOT-01

## WORKING RANGE

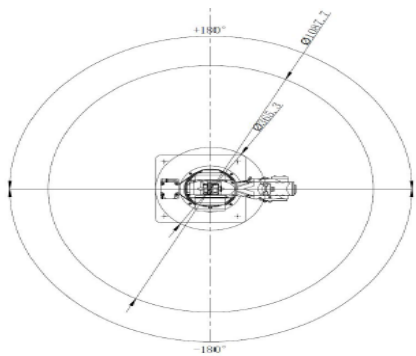
### SOFTWARE INTERFACE



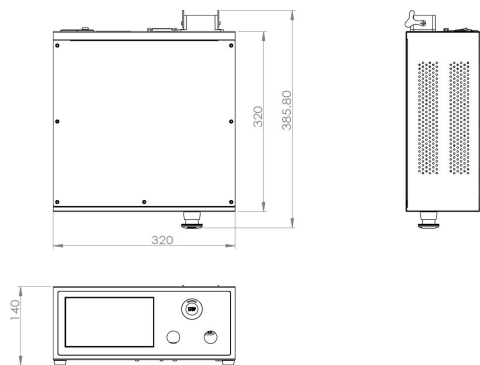
FRONT VIEW



TOP VIEW



#\Vuk\Øk"\"Æ



### Manuals :

- (1) All manuals are written in English.
- (2) Model Answer
- (3) Teaching Manuals

### General Terms :

- (1) Accessories will be provided where applicable.
- (2) Manual & Training will be provided where applicable.
- (3) Design & specifications are subject to change without notice.
- (4) We reserve the right to discontinue the manufacturing of any product.

**Warranty :**  
2 Year

### ORDERING INFORMATION :

ITEM	MODEL NUMBER	CODE
6 AXIS CARTESIAN ROBOT	GOTT-6ROBOT-01	777-000

\*Proposed design only, subject to changes without any notice.